

THE EQUALIZER Series

Power Quality Solutions

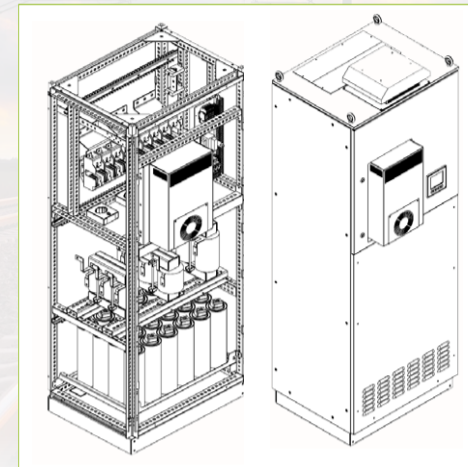


THE EQUALIZER

Real Time - Thyristor Switched Capacitor System (TSC)

The Equalizer is used for fast variation loads such as those experienced in the plastic and automobile industries as well as during motor start up. The Equalizer is characterised by fast or extremely fast variations of reactive energy demands.

- Complete compensation in less than 1 cycle (10-20 mSec)
- Significant reduction of voltage drop and flicker
- Transient-free switching
- Harmonic filtration
- Enhance local power generation capacity



EQ/ACT 300KVar

Balanced	Unbalanced
Detuned 7% Inductor	Detuned 14% Inductor
Tuned: 5 th or 5 th and 7 th Harmonic	

ACTIVAR

Thyristor Switched Capacitor System (TSC)

The Activar is used for relatively stable loads such as commercial buildings, hospitals and data centers. The Activar is characterised by slow variations of reactive energy demands.

- Transient-free switching
- Harmonic filtration

The Equalizer's controller is designed for real time controls and measurements. The Activar is designed for slow response.

THE EQUALIZER - ST

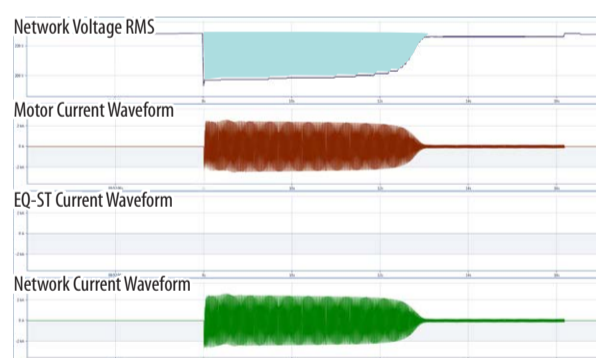
Medium & Low Voltage Motor Startup Solution

The EQUALIZER – ST is a centralised motor startup solution, that provides fast compensation in real-time. In an environment of many motors, one EQUALIZER – ST system serves any number of motors, assuming that two motors are not started simultaneously. By eliminating the need to use individual soft start devices for each motor, it makes the EQUALIZER – ST more cost effective than any other conventional compensation systems.

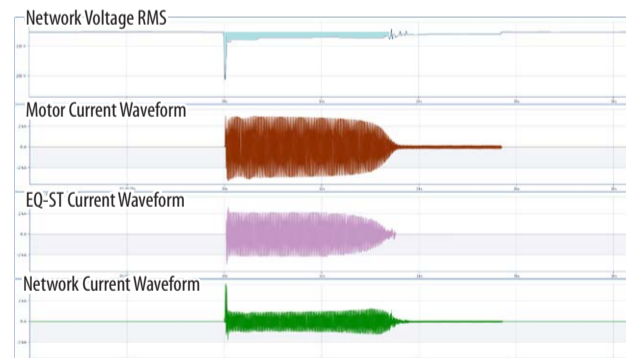


EQ-ST 7MVar Balanced: Detuned 14% Inductor

Measurements without Equalizer/Equalizer - ST



Measurements with Equalizer/Equalizer - ST



Energy Efficiency through power quality

Contact our professional team of Power Quality Specialists for all your enquiries.
0861 357732 (0861-ELSPEC) or email info@impactpower.co.za

